

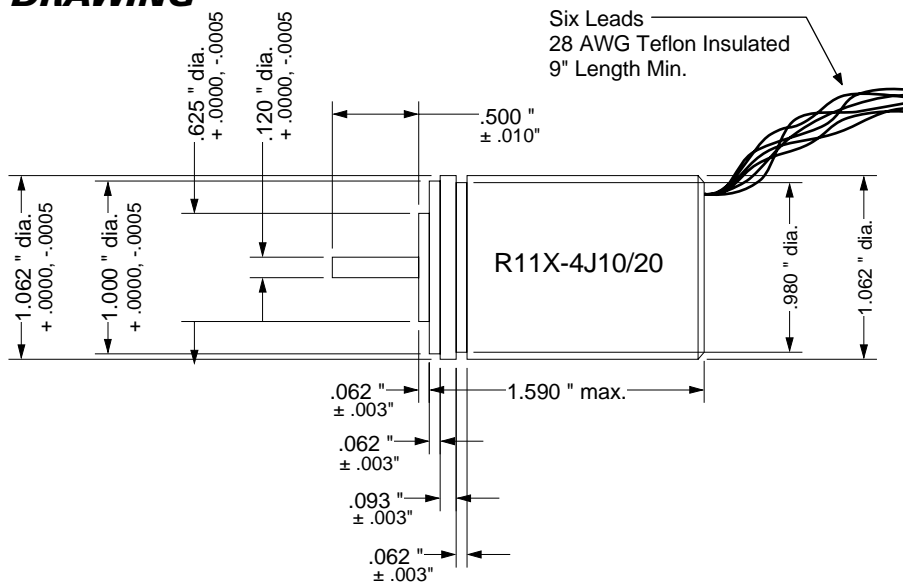
R11X-4J10/20 Specification Sheet

SHEET # 940-2T500

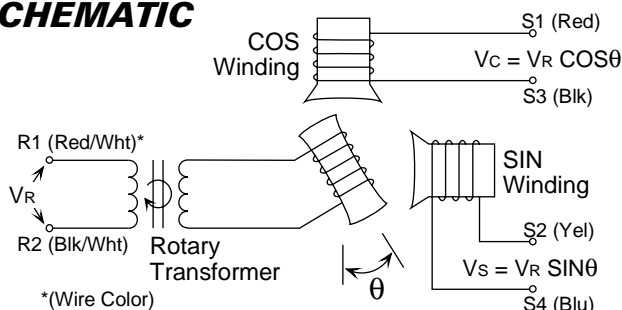
DESCRIPTION

Designed for reliable operation the four-speed R11X-4J10/20 can be used in a wide range of space critical applications where environmental sealing is not needed. The electrical outputs of the R11X-4J10/20 complete four sinusoidal cycles for every turn of the input shaft. Therefore, this resolver gives an absolute position output every 90°, not every 360° as a standard one-speed resolver does. These resolvers are still ratiometric and being so, any changes in the resolvers characteristics, such as those caused by aging, frequency, voltage or a change in temperature are ignored. Due to the small shaft size a flexible coupler must be used when connecting the resolver to your machinery.

DIMENSIONAL DRAWING

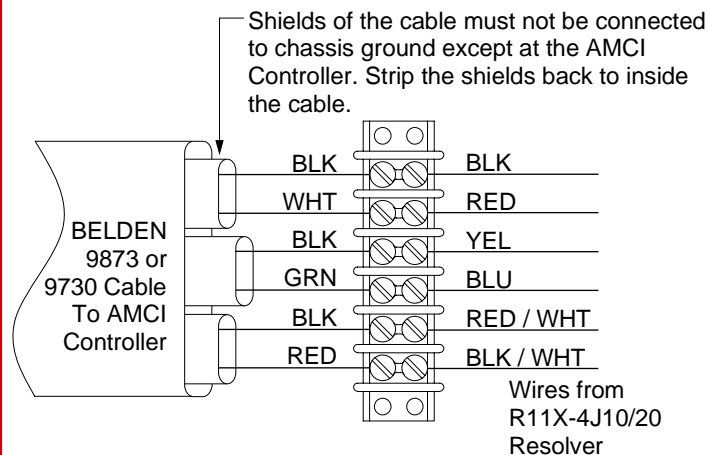


SCHEMATIC



Sample Installation

The picture below shows how to connect a R11X-4J10/20 to AMCI's standard cable. Connection to the AMCI Controller follows published cable prints.



SPECIFICATIONS

- Input Voltage: 7.0 V
- Input Freq: 5000 Hz
- Primary: Rotor
- Input Current: 17.0 mA Max.
- Output Voltage: 6.65 V Nom.
- Trans. Ratio: 0.95 ± 5%
- Accuracy: 20 min. (max. error)
- NEMA Rating: NEMA 1