

The following document contains information that is not contained in the standard PressPro Genesis manual.

Fault Stop Output

The fault Stop output is typically on. That is, the output will turn off when a fault condition is detected. The following is the list of conditions that will cause the Fault Output to turn off.

- If a fault condition is detected on one of the Die Monitoring inputs. This assumes that the Die Monitoring input has been configured to use the Fault Stop output.
- A fault is detected on the Brake Input
- If a Transducer Fault is detected

Additional Configuration Parameters

Eight parameters can be programmed on Configuration Screen 4 of 4. These parameters, along with their function and default values, are shown in the following tables.

C	C	O	N	F	I	G	U	R	E	4	O	F	4	N	O
L	L	E	A	R	F	A	U	L	T	S					
V	I	E	W	*	*	P	:	*	*	*	S	P	M	*	*
														*	*

To move from one parameter to the next, move the blinking cursor over the parameter and press the SELECT key. When the desired parameter is reached, press the ENTER or ➤ arrow key to move the cursor to the next data field, where the SELECT key is used to select between NO and YES.

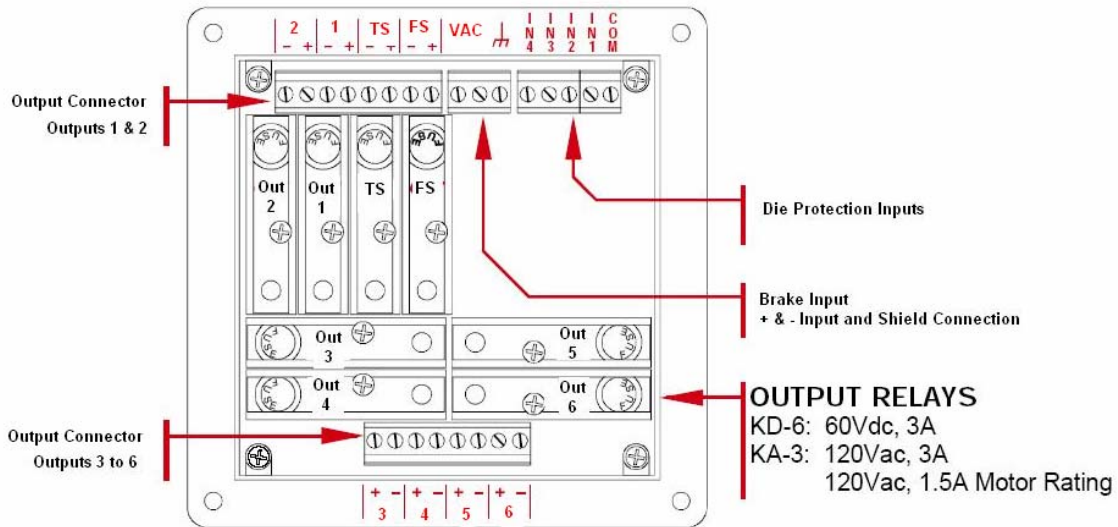
Parameter	Function	Default
Clear Faults	If “YES”, a user with an Operator Level access is allowed to clear any faults that occur.	NO
Select Tool #	If “YES”, a user with an Operator Level is allowed to change which program is currently running.	NO
INC / DEC	If “YES”, a user with an Operator Level is allowed to Increment or Decrement the Limit Switch On/Off setpoints	NO
Clear Counters	If “YES”, a user with an Operator Level access is allowed to clear the Actual Batch and Total counters. Regardless of the setting, only a user with Master or Setup level access are allowed to clear the Tool and Stroke counters.	NO
Brake Monitor	If “YES”, it allows the Brake Monitoring functions to occur. Any transitions on the Brake Input will be ignored if this parameter is set to “NO.”	NO
Motion Detect	If “YES”, it allows the Motion Detect operations to occur. Motion detect errors will not be reported if this parameter is set to “NO.”	NO
Latch Transd Err	If “YES”, the Genesis unit will remain in transducer fault until it is cleared by the user. If set to “NO” the transducer fault will clear as soon as the resolver signals become valid.	YES
Count Input 1	If “YES” the batch counter will increase whenever input 1 transitions. If “NO” the batch counter will increase when the resolver’s position data passes through the zero point.	NO

Solid State Outputs

There are two versions of the PressPro Genesis, one with Mechanical Relay Outputs, the GN3B1-01A-00, and one with Solid State Relay Outputs, the GN3B1-01B-00. The standard user's manual covers only the Mechanical Relay output.

The functions of the PressPro Genesis with Solid State relays are the same as those of a unit with Mechanical relays.

The following diagram shows the location of the inputs and outputs on the GN3B1-01B-00 Solid State version.



Note: The solid state relays used with the GN3B1-01B-00 are not included with the unit and must be ordered separately. The two options are KD-6 (DC relays) or KA-3 (AC relays).

Solid State Relay Wiring

Each Relay output has two terminals. One is labeled + and the other that shows the Output Number. Connect your power supply to the + terminal and your load to the other terminal.

