

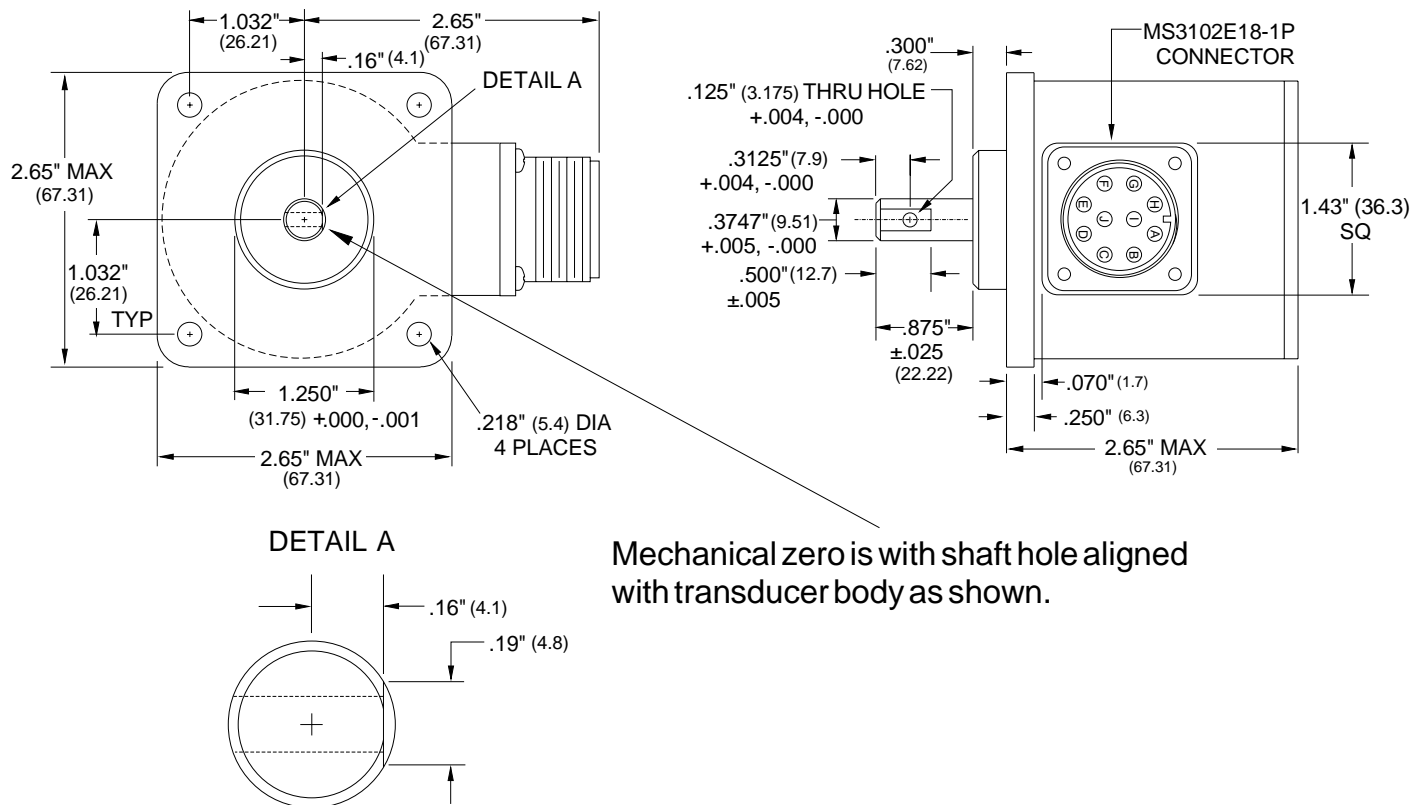
-07 Shaft Option Specification Sheet

SHEET # 940-2D031

DESCRIPTION

This -07 option is a shaft modification to standard DuraCoders. Shown is an analog DuraCoder in a flange mount, side connect configuration. This shaft option is available with other DuraCoder models.

DIMENSIONAL DRAWING



Mechanical zero is with shaft hole aligned with transducer body as shown.