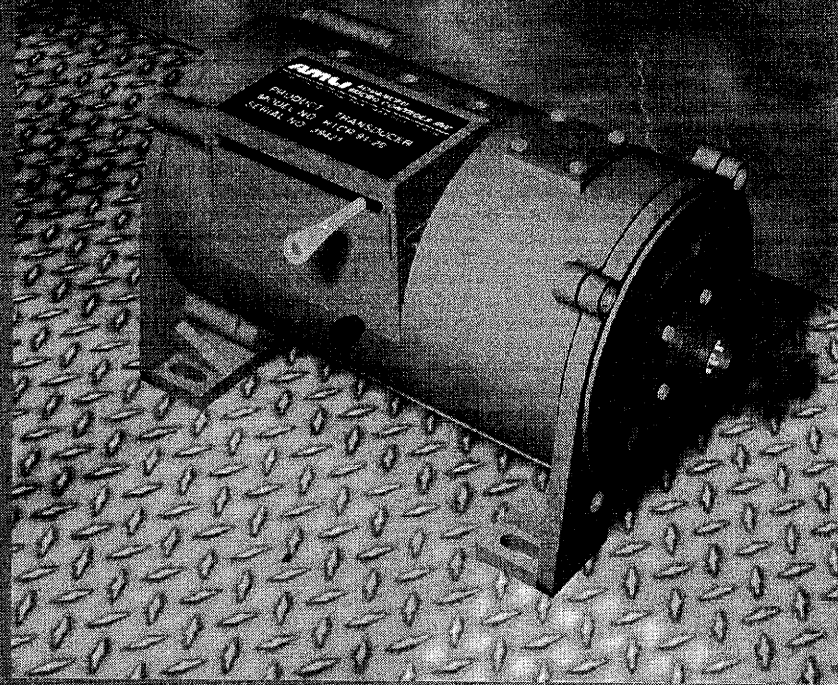


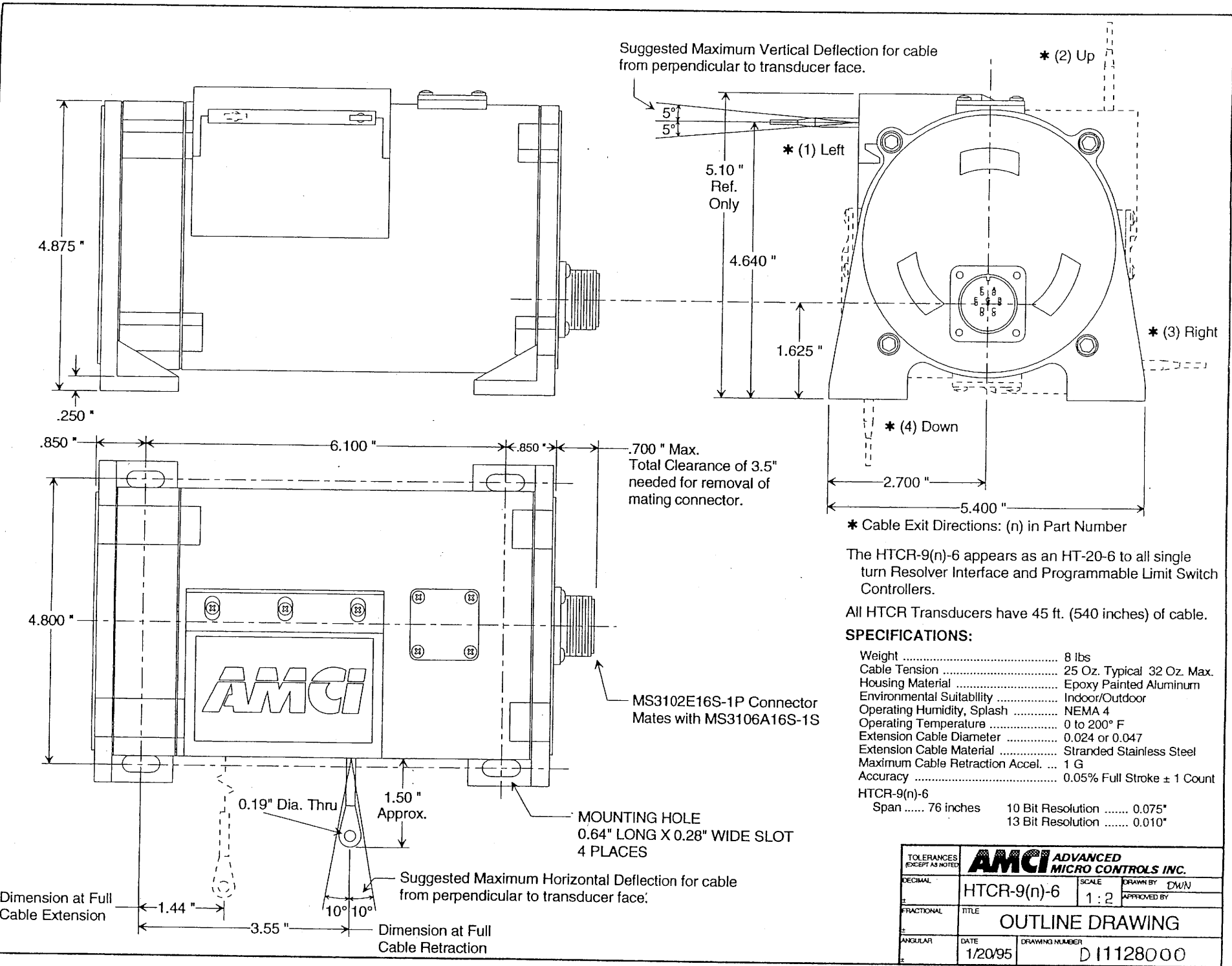
# PRODUCT PROFILE

**Absolute  
Resolver Based  
Linear Position  
Cable Reel  
Transducers**

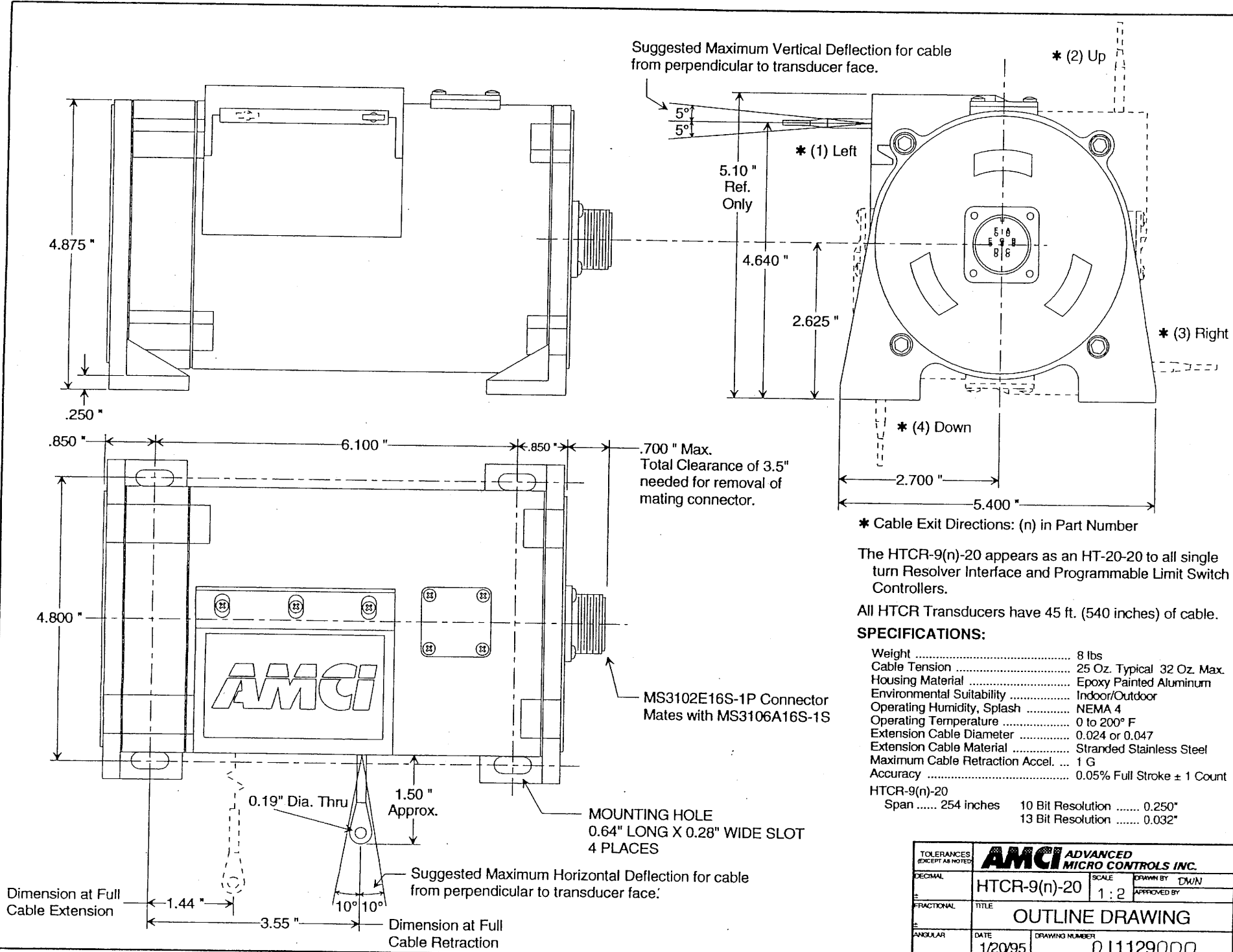


**Series HTCR Single Resolver Transducers  
Series HTTCR Dual Resolver Transducers**

**AMCI** **ADVANCED**  
**MICRO CONTROLS INC.**



TOLERANCES EXCEPT AS NOTED		<b>AMCI</b> ADVANCED MICRO CONTROLS INC.	
DECIMAL	HTCR-9(n)-6	SCALE	1:2
FRACTIONAL	TITLE	DRAWN BY	DWN
ANGULAR	DATE	APPROVED BY	
	1/20/95	DRAWING NUMBER	D11128000
<b>OUTLINE DRAWING</b>			



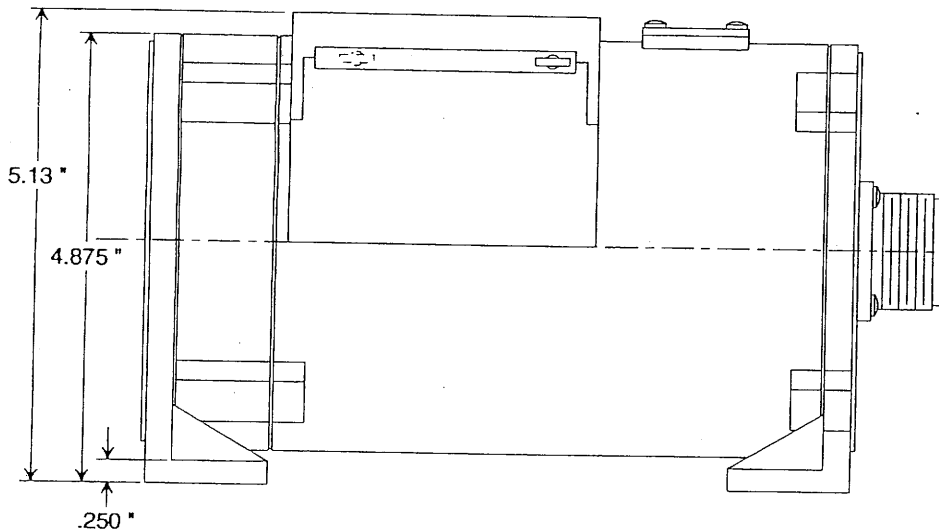
The HTCR-9(n)-20 appears as an HT-20-20 to all single turn Resolver Interface and Programmable Limit Switch Controllers.

All HTCR Transducers have 45 ft. (540 inches) of cable.

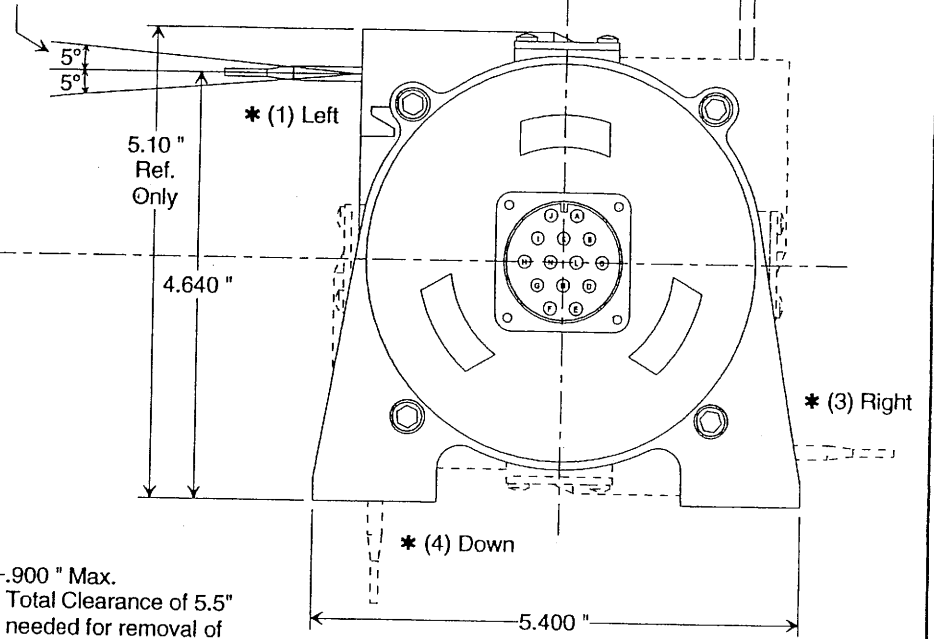
**SPECIFICATIONS:**

- Weight ..... 8 lbs
  - Cable Tension ..... 25 Oz. Typical 32 Oz. Max.
  - Housing Material ..... Epoxy Painted Aluminum
  - Environmental Suitability ..... Indoor/Outdoor
  - Operating Humidity, Splash ..... NEMA 4
  - Operating Temperature ..... 0 to 200° F
  - Extension Cable Diameter ..... 0.024 or 0.047
  - Extension Cable Material ..... Stranded Stainless Steel
  - Maximum Cable Retraction Accel. .... 1 G
  - Accuracy ..... 0.05% Full Stroke ± 1 Count
- HTCR-9(n)-20
- Span ..... 254 inches
  - 10 Bit Resolution ..... 0.250"
  - 13 Bit Resolution ..... 0.032"

TOLERANCES EXCEPT AS NOTED		<b>AMCI</b> ADVANCED MICRO CONTROLS INC.	
DECIMAL	HTCR-9(n)-20	SCALE 1:2	DRAWN BY DWN
FRACTIONAL	TITLE	APPROVED BY	
ANGULAR	DATE 1/20/95	DRAWING NUMBER 011129000	
<b>OUTLINE DRAWING</b>			



Suggested Maximum Vertical Deflection for cable from perpendicular to transducer face.



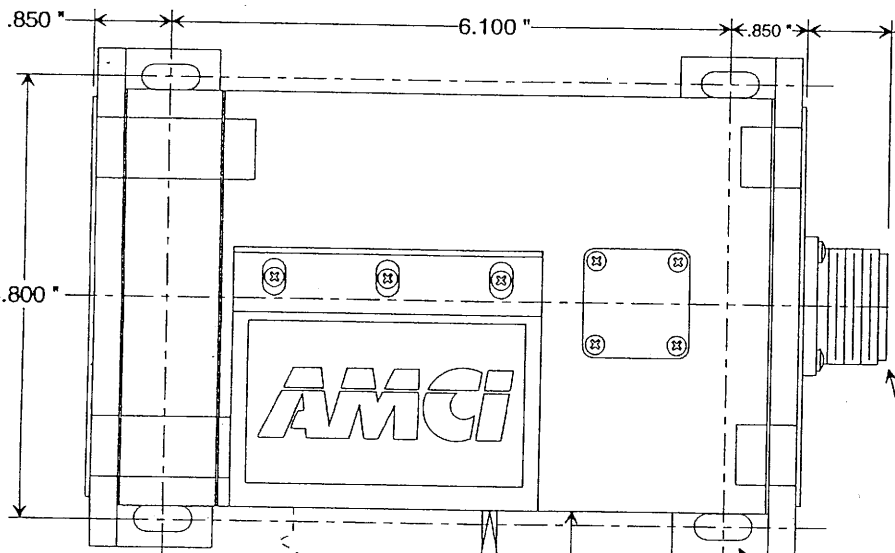
\* Cable Exit Directions: (X) in Part Number

The HTTCR-9(n)-100 appears as an HTT-20-100 to all compatible Resolver Interface and Programmable Limit Switch Controllers.

All HTCR Transducers have 45 ft. (540 inches) of cable.

**SPECIFICATIONS:**

- Weight ..... 8 lbs
- Cable Tension ..... 25 Oz. Typical 32 Oz. Max.
- Housing Material ..... Epoxy Painted Aluminum
- Environmental Suitability ..... Indoor/Outdoor
- Operating Humidity, Splash ..... NEMA 4
- Operating Temperature ..... 0 to 200° F
- Extension Cable Diameter ..... 0.024 or 0.047
- Extension Cable Material ..... Stranded Stainless Steel
- Maximum Cable Retraction Accel. .... 1 G
- Accuracy ..... 0.05% Full Stroke ± 1 Count
- 0.013" Linear Resolution for al 18 bit controllers.
- 0.003" Linear Resolution for all 20 bit controllers.



.900" Max. Total Clearance of 5.5" needed for removal of mating connector.

MS3102E20-27P Connector Mates with MS3106A20-27S

MOUNTING HOLE 0.64" LONG X 0.28" WIDE SLOT 4 PLACES

0.19" Dia. Thru 1.50" Approx.

Suggested Maximum Horizontal Deflection for cable from perpendicular to transducer face.



Dimension at Full Cable Extension

1.44"

3.55"

Dimension at Full Cable Retraction

TOLERANCES EXCEPT AS NOTED		<b>AMCI</b> ADVANCED MICRO CONTROLS INC.	
DECIMAL	HTTCR-9(X)-100	SCALE 1:2	DRAWN BY DWIN
FRACTIONAL	TITLE	OUTLINE DRAWING	
ANGULAR	DATE 1/4/95	DRAWING NUMBER D1124000	
			APPROVED BY